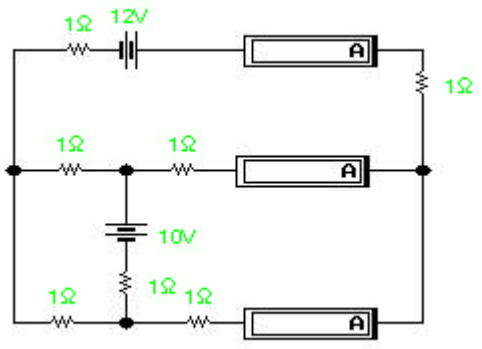
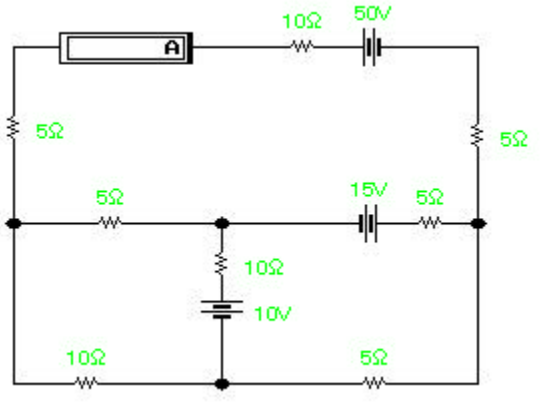


600 mA, 800 mA, 200 mA



4 A, 499 mA, 4.5A



2.23 A